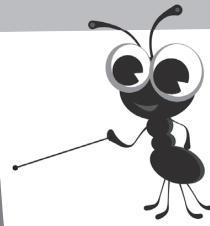


Name: _____ Date: _____

2-D and 3-D shapes

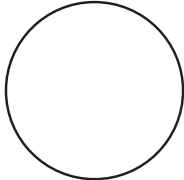
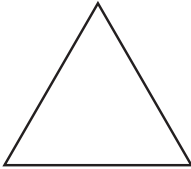


Recognise and name 2-D and 3-D shapes



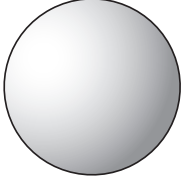
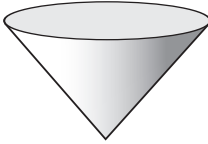

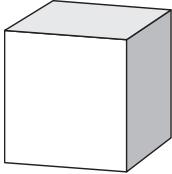
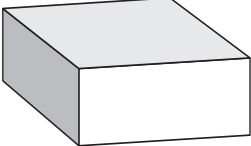
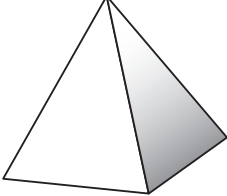
You will need:

- scissors
- glue

2-D

			
<input style="width: 100%; height: 30px;" type="text"/>	<input style="width: 100%; height: 30px;" type="text"/>	<input style="width: 100%; height: 30px;" type="text"/>	<input style="width: 100%; height: 30px;" type="text"/>

3-D

		
<input style="width: 100%; height: 30px;" type="text"/>	<input style="width: 100%; height: 30px;" type="text"/>	<input style="width: 100%; height: 30px;" type="text"/>
		
<input style="width: 100%; height: 30px;" type="text"/>	<input style="width: 100%; height: 30px;" type="text"/>	<input style="width: 100%; height: 30px;" type="text"/>

What to do

- Cut out the 2-D and 3-D shape names from the bottom of this sheet. Ask your child to stick each one below the correct shape.



Take part in a 2-D and 3-D shape hunt with your child, at home or when you are out together. Look for all the shapes on this sheet. You could take photographs of the shapes you find or record how many of each shape you spot on the back of this sheet.

circle	sphere	cuboid	rectangle	pyramid
cylinder	square	cube	cone	triangle