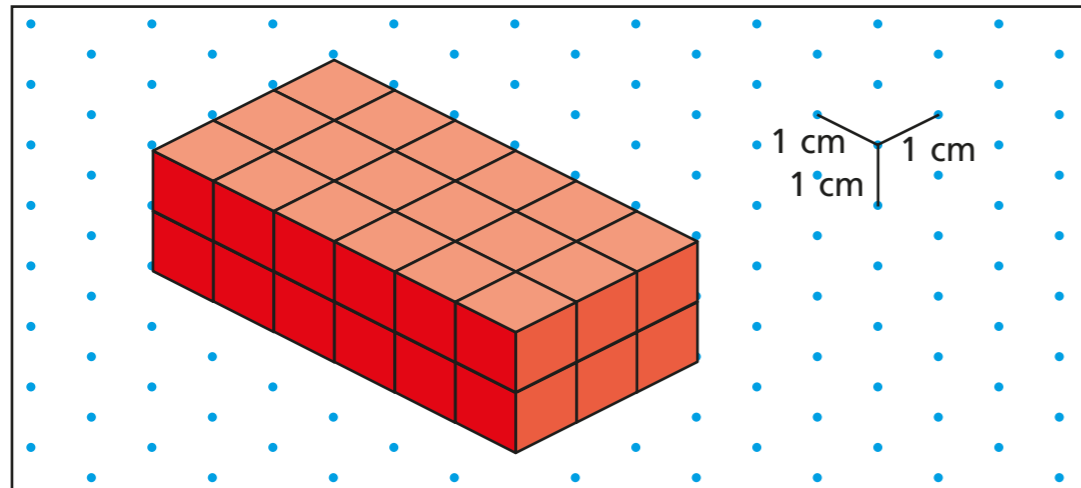


Volume of a cuboid



1 Here is a cuboid made up of cubes.

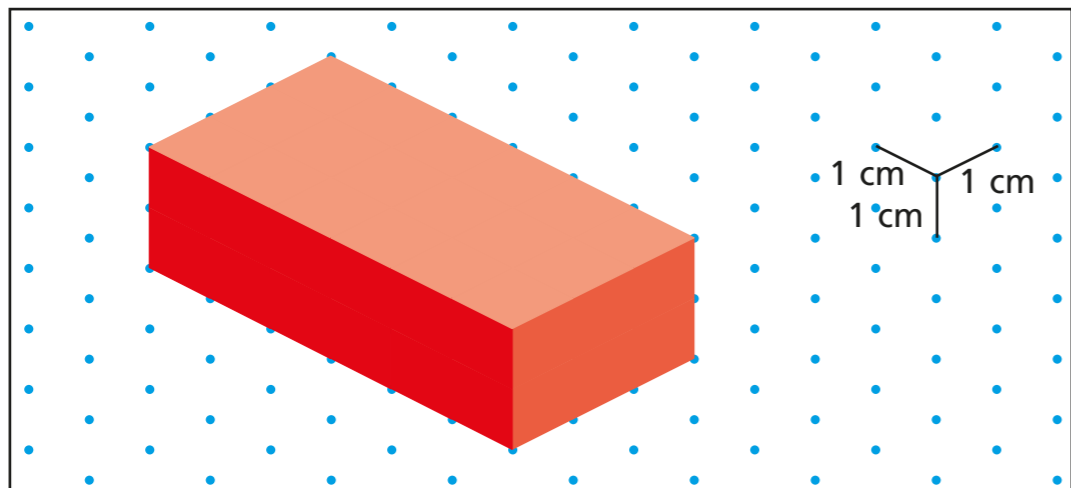


a) What is the volume of the cuboid?

volume = cm^3

b) Explain your method for finding the volume.

c) What is the volume of this cuboid?

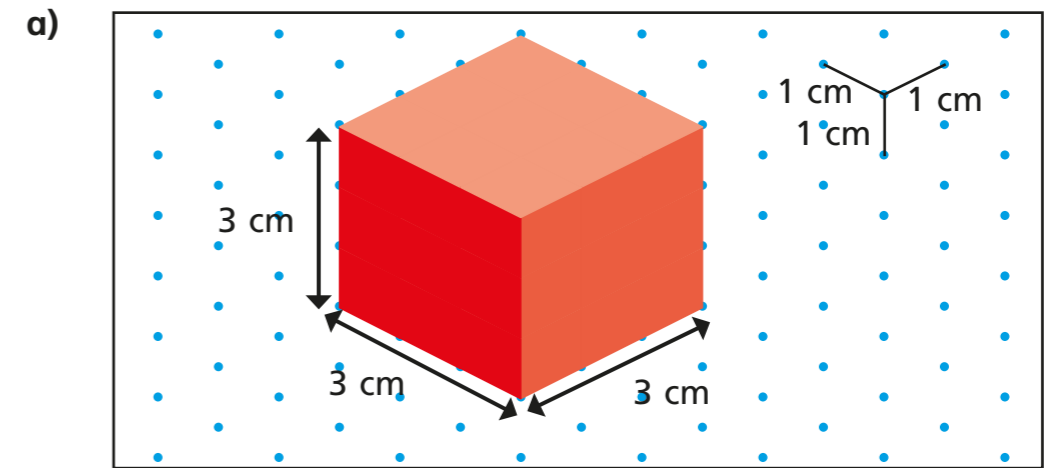


volume = cm^3

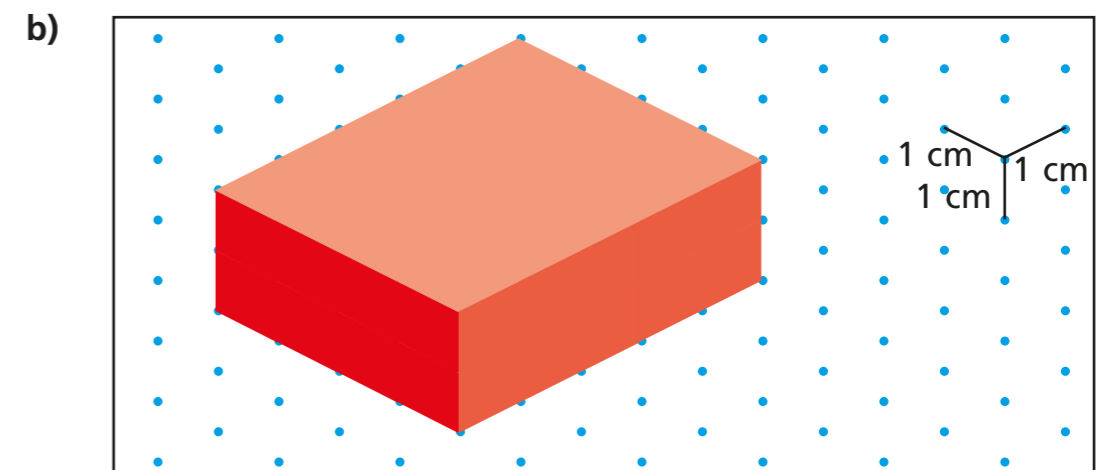
d) What is the same and what is different about the cuboids?

2 Find the volume of the cuboids.

You can make them with cubes if it helps.

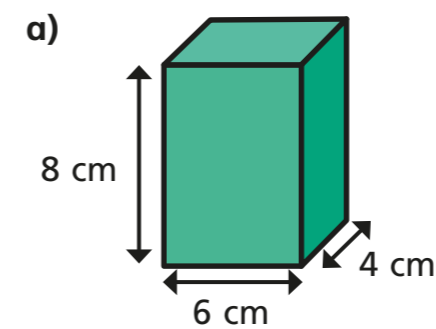


volume = cm^3

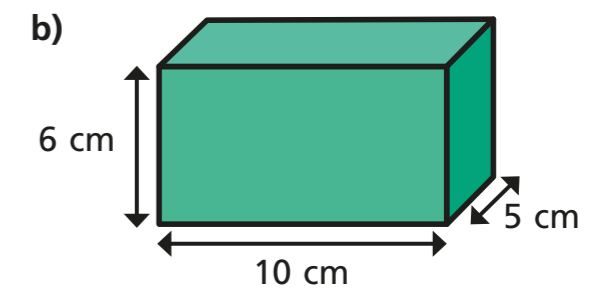


volume = cm^3

3 Calculate the volumes of the cuboids.

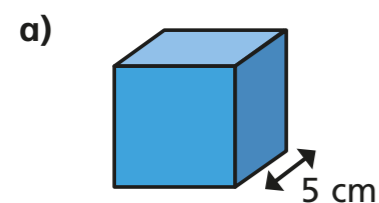


volume = cm^3

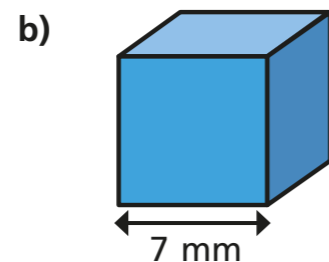


volume = cm^3

4 Calculate the volumes of the cubes.

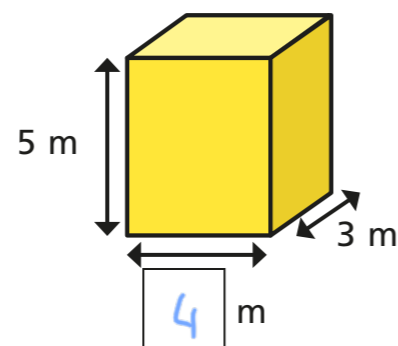


volume = cm^3

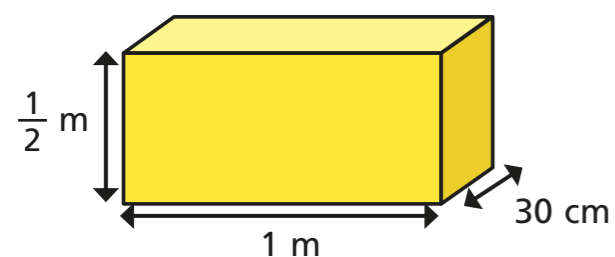


volume = mm^3

5 The volume of the cuboid is 60 m^3
Find the missing length.

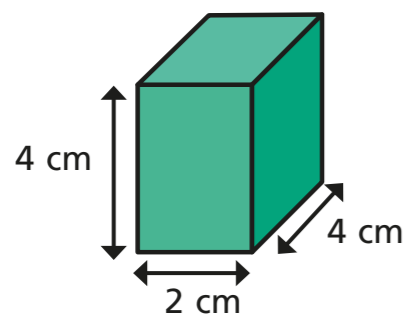


6 Calculate the volume of the cuboid.

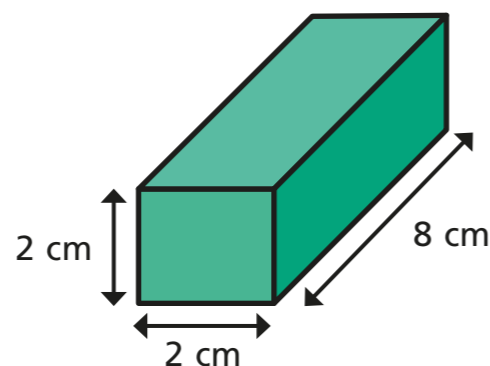


volume = cm^3

7 a) Calculate the volumes of the two cuboids.



cm^3

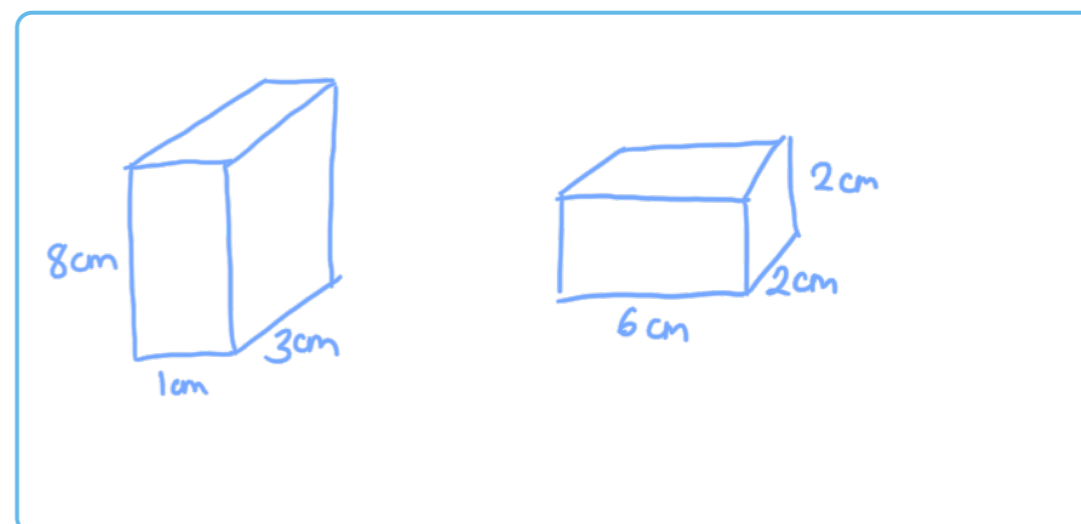


cm^3

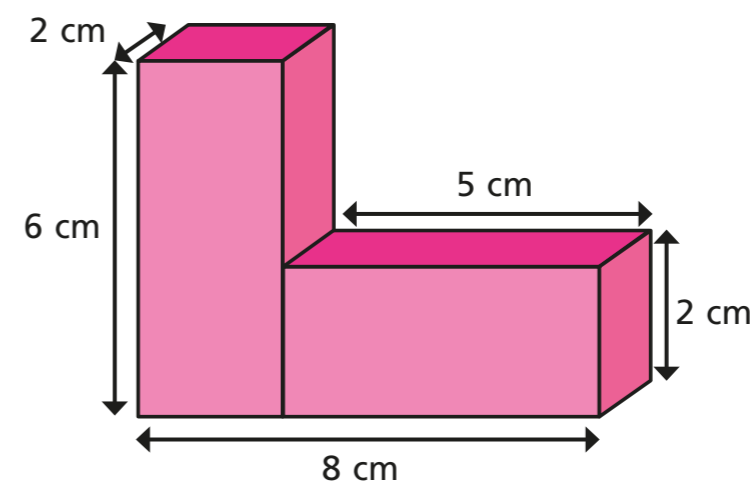
What do you notice?

b) Draw two different cuboids that have a volume of 24 cm^3

e.g.



8 Calculate the total volume of the shape.



volume = cm^3

Was there another method you could have used?

